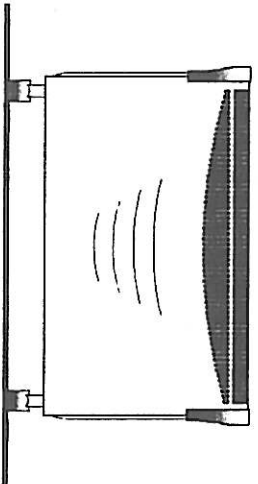
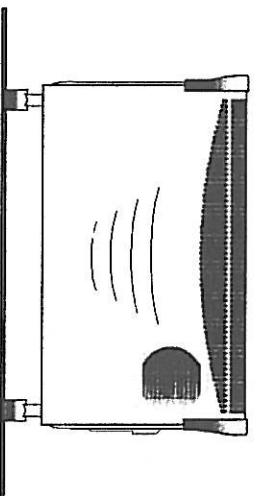


# acdimplex



D2S  
D2T  
D2TS  
D2TSH



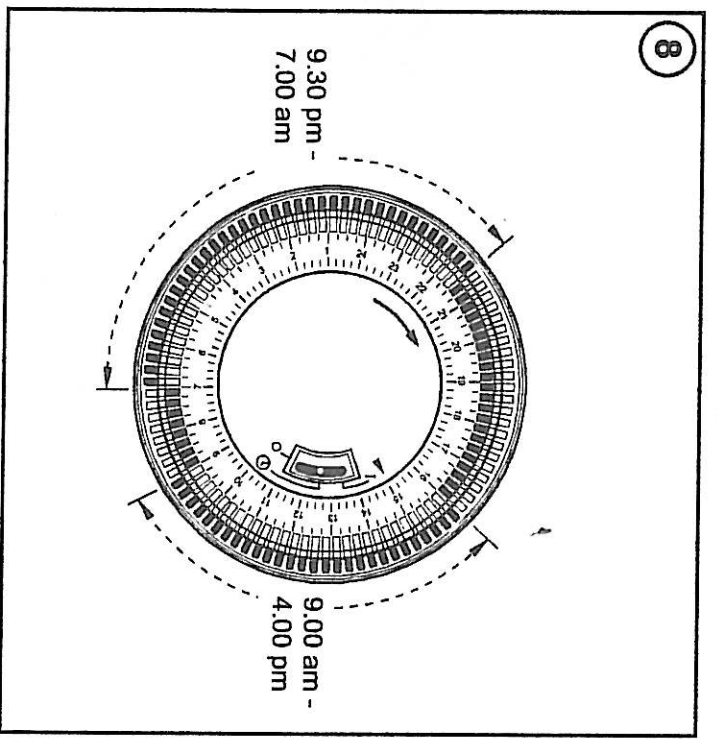
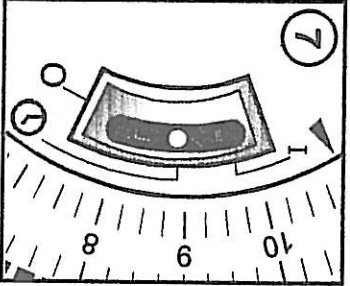
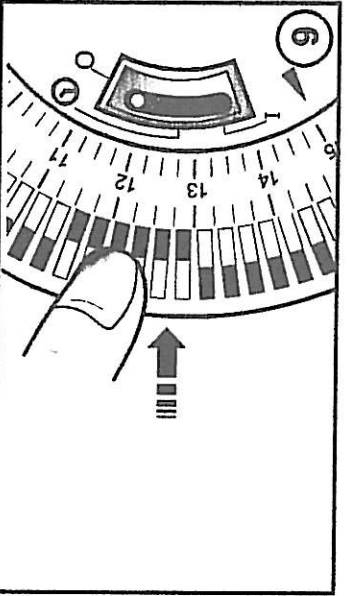
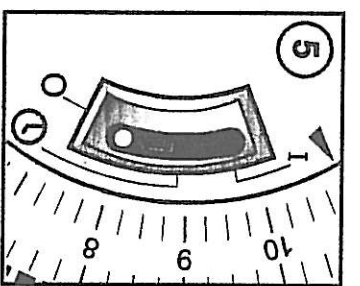
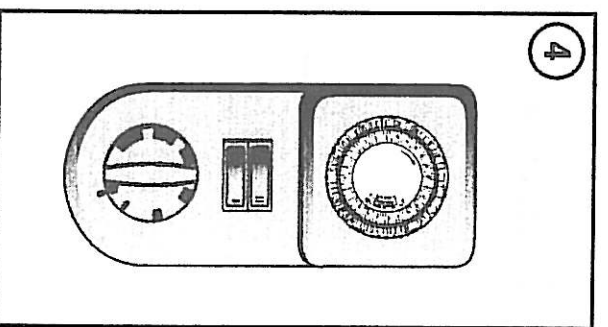
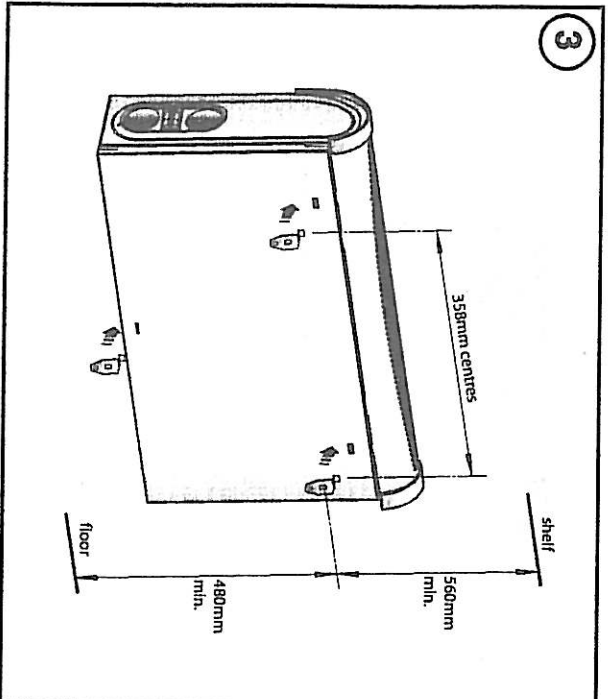
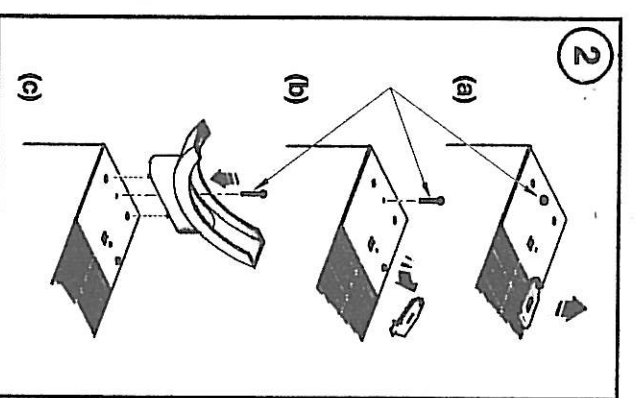
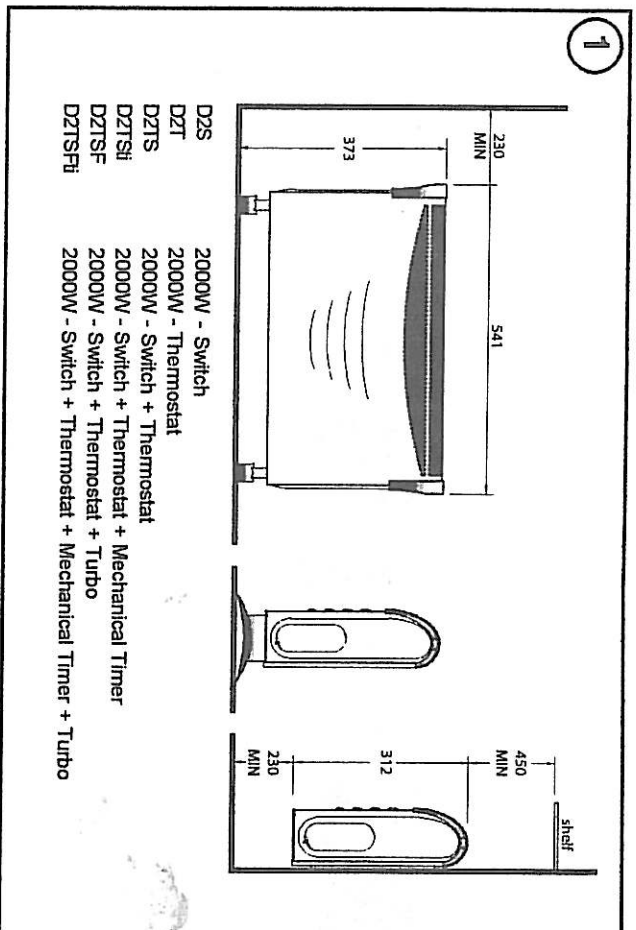
D2TSF  
D2TSFII

AUS & NZ

INDCAUG2RG Issue 1



The product complies with the Australian/New Zealand Safety Standards AS/NZ S 395.2:2017/1997 and 2002 Part 1 also the European Standard Electromagnetic Compatibility (EMC) EN 55 014-1:1999, EN 61 000-3-2:1995, EN 61 000-3-3:1995, EN 55 014-2:1997 which cover the essential requirements of EEC Directive 89/339/EEC.



## D2S, D2T, D2TS, D2TSii, D2TSF and D2TSFi Compact Convertors

### Important Safety Advice

The appliance must only be used as described in the instructions for use! Use for any other purpose is forbidden! Any damage resulting from improper use and non-observance of the safety information will invalidate any liability and warranty!

All liability is disclaimed for any frost damage caused by a heating capacity that is insufficient for the room size, bad heat insulation of the room, incorrect use or force majeure (e.g. power failure).

Only connect the appliance to A.C. mains as specified on the rating plate!

Never touch live parts! Danger to life!

Never operate the appliance with wet hands! Danger to life!

Check the power cord regularly for damage.

The appliance should never be used in areas which are a fire risk, such as garages, stables, or wooden sheds.

The appliance must be placed in a way that the control elements cannot be touched by persons who are in bath, shower, or any other water-filled receptacle.

Do not use the appliance in rooms with bath, shower or swimming pool or in the vicinity of wash basins or water connections!

Never use the appliance if the appliance or cord is damaged. Risk of injury!

If the power cord or if the appliance is damaged to the extent that electrical parts are exposed, disconnect it immediately from the mains and see your authorised retailer!

Improper repairs can expose the user to considerable danger.

Do not store or use any flammable materials or sprays in the vicinity of the appliance when the appliance is in use. Fire hazard!

Do not use the appliance in flammable atmospheres (e.g. in the vicinity of combustible gases or spray cans). Explosion and fire hazard!

Important! Do not insert any foreign objects into the appliance openings! Risk of injury (electric shock) and damage to the appliance!

The appliance air inlet and outlet openings must not be obstructed in any way!

Place the appliance so that it cannot be touched by accident. Risk of burns!

Do not place any items of clothing, towels or similar on the appliance to dry! Overheating and fire hazard! The appliance is not suitable for connection to permanent wiring!

The appliance is not intended for use by young children or infirm persons without supervision!

Young children should be supervised to ensure that they do not play with the appliance!

The socket-outlet must be accessible at all times to enable the mains plug to be disconnected as quickly as possible!


The appliance is not suitable for animal breeding purposes!

The installation must belong to the appliance and must be kept in a safe place. When changing owners, the installer must be surrendered to the new owner!

The appliance may only be opened up and repaired by authorised qualified personnel.

If the supply cord is damaged it must be replaced by the manufacturer or service agent or a similarly qualified person in order to avoid a hazard.

**WARNING: IN ORDER TO AVOID OVERHEATING, DO NOT COVER THE HEATER.**

 The heater carries the Warning symbol, indicating that it must not be covered.

### Packaging

After unpacking the appliance, check the same for transport damage and the contents for completeness! In the event of damage or an incomplete delivery, contact your authorised retailer!

Do not discard the original box! It can be used for storage and dispatch to avoid transport damage!

Dispose of the packaging material in a proper manner! Plastic bags should be kept away from children!

### Power cord

Only use an approved extension cord that is suitable for the appliance rating!

Position the power cord so that it does not pose a tripping hazard and possibly cause the appliance to be knocked over.

The power cord must not come into contact with hot appliance parts!

Never pull the plug out of the socket at the cord!

Never move the appliance by pulling at the cord or use the cord for carrying purposes!

Do not coil the cord around the appliance! Do not use the appliance with the cord coiled!

This applies particularly if a cable drum is used.

Do not crush the cord or drag it over sharp edges. Do not place it over heated hotplates or metal frames!

### General

The heater may be used free standing on feet or wall mounted on brackets. The necessary feet and wall brackets are provided. The heater should only be operated when in the upright position as shown in Fig. 1.

### To Fit Feet

Lay the heater on its back, and locate the foot fixing screw (see Fig. 2a). Remove the screw using an X-head screwdriver, then align the foot cover slots and holes in base (see Fig. 2c) and push the slots until the foot clips into place.

Finally take the foot fixing screw, insert and tighten using a screwdriver to secure the feet.

**NOTE** - The wall mounting brackets indicated in Fig. 2b can be left secured to the base if they are not required.

**ON NO ACCOUNT SHOULD THE HEATER BE USED FREESTANDING WITHOUT THE FEET FITTED.**

### Positioning the heater

Always ensure that the heater is sited on a firm, level base next to, but not directly beneath, a suitable mains supply socket.

Ensure that curtains and furniture are not positioned close to the chosen position, as this would create a potential fire hazard.

We recommend that the heater should be wall-mounted in rooms where children may be left unattended.

See also 'Important Safety Advice'.

### Wall Mounting

**IMPORTANT** - The wall brackets supplied with the heater must be used.

The heater should be positioned observing the minimum clearances - see Fig. 1 and in accordance with the safety warnings.

Three identical wall mounting brackets are secured to the base of the heater with a fixing screw. To wall mount appliance, first remove the brackets as follows:

Lay the heater on its back.

Following the sequence in Fig. 2 - identify and remove the fixing screw securing the brackets as shown in (a), then pull out brackets and rotate them to disengage them from the slots (b).

Select a suitable position on a wall, next to a mains power socket, making sure that there is at least 230 mm below the heater and at least 450 mm above the heater of unobstructed space - see also 'Positioning the heater'.

Fit the two top retaining brackets to the wall, using suitable fixings at 356mm centres - see Fig. 3. Locate the heater on the top brackets and allow it to hang in place. Fit the bottom bracket into the slot in the heater and then fix it to the wall. Test that the heater is now securely fixed to the wall.

### Thermostat

The thermostat controls the heat output according to the room temperature. This ensures that the heater will not produce heat unnecessarily when the room is warm. To set the temperature you require, turn the thermostat knob clockwise until the desired temperature is reached. Alternatively, to heat a cold room quickly, turn the thermostat knob up fully. When the room has reached the desired temperature, turn the thermostat knob and clockwise until the thermostat just clicks off.

The heater will now automatically operate at this temperature.

The thermostat also has a frost protection setting marked "F". This setting is useful in areas such as garages to prevent frost damage. If the thermostat is set to its minimum setting "F", the heater will cycle ON and OFF to maintain a temperature of approximately 5°C to help protect against frosty conditions.

### Heat Selector Switch

The heat selection switch is an economy feature - see Fig. 4.

The switch is a 2 position switch with two possible heat settings as follows:

- I - The heater operates at half heat output.
- II - The heater operates at full heat output.

On model's D2TSF and D2TSFi there is also an On/Off Switch; operation as follows:

- 0 - The Turbo fan switches off.
- I - The Turbo fan switches on.

### Timer

Set the I - O -  slide switch on the timer (Fig. 6) to:

Position O - Heating Off

Position I - Manual operation

This setting allows power to the heater unimpeded by the timer settings. The heat selector switch will control the output.

Position  - 'Auto' operation

Do not disconnect this heater from the mains supply unless it is being taken out of use (e.g. in summer or for storage), otherwise the timer clock will stop.

### Setting the time of day

To set the time of day, rotate the timer dial clockwise (indicated by the arrow) until the correct time of day is opposite the reference mark (see Fig. 6). The 24-hour clock is used, e.g. time shown for 4pm is '16' (16:00hrs).

### Setting the 'Auto' ON and OFF times

1. Using your finger tip or the tip of a pencil, push in as many segments as necessary around the dial, according to the times you don't require heat - see Fig. 6. Each segment pushed in switches the heater OFF for that part of the hour. All other segments will be ON. For example, Fig. 6 shows the timer set to switch the heater ON between 00am and 4.00pm and between 9.30pm and 7.00am.
2. You can select as many ON periods as you like, within the 24-hour day. The settings will repeat every day until changed.
3. To change ON and OFF times, simply push in any 'ON' segments you wish to cancel and pull out new 'ON' segments as required.

### Switching to auto

Set the heat selector and thermostat for the heat output required. Check that the clock shows the correct time of day. Set the I - O -  slide switch to  (see Fig. 7) - the heater will switch ON and OFF according to the timer settings (see Fig. 6).

**Note:** Remember to observe all safety warnings when operating the heater on auto setting unattended or unattended.

If the mains supply to the heater is interrupted, the timer clock will stop until power is restored; reset the time of day to ensure correct ON and OFF times.

### Important Notes

Although this heater is manufactured to comply with the relevant safety standards, certain types of carpets could become discoloured by the temperatures under a portable heater. If you are concerned about this, we recommend that you contact the carpet manufacturer for guidance. Alternatively, either stand the heater on a suitable base to shield the carpet or wall-mount it - call our Helpline for further advice. You may notice some parts of the element appearing to glow hotter or redder from time to time because of the variable airflow through the heater. This does not cause a safety hazard. The heat outlet grille may become discoloured with use - this is caused by airborne pollution and is not a fault.

### Safety - overheat protection

For your safety, the appliance is fitted with a thermal cut-out. In the event that the product overheats, the cut-out switches the heater off automatically.

To bring the heater back into operation, remove the cause of the overheating, then unplug or turn off the electrical supply to the heater for a few minutes.

When the heater has cooled sufficiently, re-connect and switch on the heater.

### Cleaning and User Maintenance

**WARNING** - ALWAYS DISCONNECT FROM THE POWER SUPPLY BEFORE CLEANING THE HEATER.

Do not use detergents, abrasive cleaning powder or polish of any kind on the body of the heater.

Allow the heater to cool, then wipe with a dry cloth to remove dust and a damp cloth (not wet) to clean off stains. Be careful not to allow moisture into the heater.

### After Sales Service

Please see the Warranty page for details of your Warranty & after sales service including contact details.

Should you require after sales service, please get in touch with the supplier through whom you purchased the appliance, or the contact number on your Warranty leaflet.

Specification subject to change without prior notice.

**CDimplex**



### 24 Months Repair / Replacement Guarantee.

Hagemeyer/Monaco guarantees this product against defects caused by faulty workmanship and materials for 24 months domestic use (3 months commercial use) from the date of purchase. During this guarantee period, Hagemeyer/Monaco will repair or replace any defective product. However, if the product includes a number of accessories, only the defective product or accessory will be replaced.

Hagemeyer/Monaco reserves the right to make minor repairs instead of replacing the product or accessory.

In the event of a product or accessory being replaced during the guarantee period, the guarantee on the replacement will expire 24 months from the original purchase date. This guarantee excludes defects caused by the product not being used in accordance with instructions, accidental damage, misuse or being tampered with by unauthorised persons.

All costs of installation, removal, cartage, freight, traveling expenses and insurance are to be paid by the claimant.

Should you experience any difficulties with your appliance you should firstly contact Dimplex Customer Care for advice.

**Please retain your receipt as proof of purchase. Every request for guarantee service must be accompanied by proof of purchase.**

**Dimplex products are distributed in Australia by  
Hagemeyer Appliances, (A Division of Hagemeyer Brands Australia Pty Ltd.)**

ACN28 001 375 686

Lock Bag 4013

Kingsgrove NSW 2208

Phone: 1300 728 223 Fax: 1300 728 224

Email: [sdacustomerservice@hagemeyer.com.au](mailto:sdacustomerservice@hagemeyer.com.au)

Web: <http://www.dimplex-australia.com>

AUS

**Dimplex products are distributed in New Zealand by**

Monaco Corporation

10 Rothwell Avenue

Albany

PO BOX 4399

Auckland 1

New Zealand

Phone: (09) 415 6000

Web: <http://www.dimplex.co.nz>

NZ